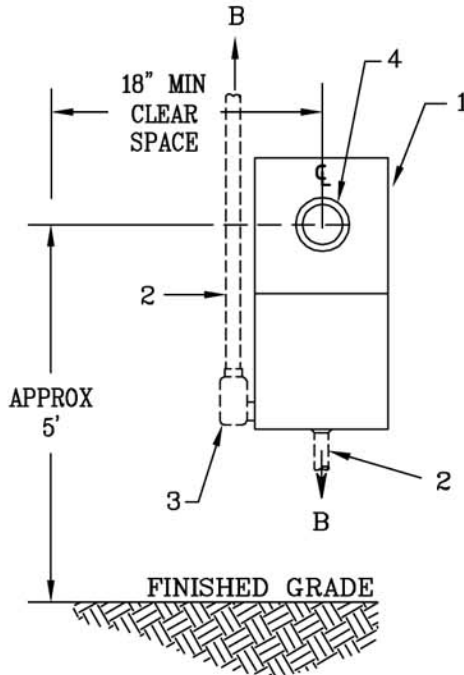


NOT TO SCALE

METER PANEL INSTALLATION

INDOOR INSTALLATION REQUIRES PRIOR APPROVAL FROM METERING SUPPORT



FURNISHED BY PPL EU AND INSTALLED BY CUSTOMER:

1. METER PANEL – LOCATION DESIGNATED BY PPL EU – MUST BE SECURELY MOUNTED TO 2” NOMINAL LUMBER OR MASONRY FINISH. DO NOT ATTACH PANEL TO THE SWITCH GEAR.

CUSTOMER FURNISHES, INSTALLS, AND MAINTAINS:

2. FOR INSTALLATION 50 FEET AND LESS, 1-1/4 INCH MINIMUM THREADED GALVANIZED OR INTERMEDIATE RIGID STEEL OR GRAY SCHEDULE 40 PVC CONDUIT AND FITTINGS BETWEEN INSTRUMENT TRANSFORMERS AND METER PANEL.

OR

FOR INSTALLATION OVER 50 FEET, APPROVAL BY METERING SUPPORT IS REQUIRED, 1½ INCH MINIMUM THREADED GALVANIZED OR INTERMEDIATE RIGID STEEL OR GRAY SCHEDULE 40 PVC CONDUIT (WITH NO MORE THEN THREE 90 DEGREE BENDS) AND FITTINGS BETWEEN INSTRUMENT TRANSFORMERS AND METER PANEL.

3. CONDUIT BODY/CONDULET.

PPL EU FURNISHES AND INSTALLS:

4. METER
5. WIRING BETWEEN INSTRUMENT TRANSFORMERS AND THE METER PANEL. SEE RULE 15.

NOTES:

- A. PROVIDE WALL SPACE 40 INCHES BY 40 INCHES FOR METER PANEL. ALLOW CLEAR SPACE, 18 INCHES MINIMUM, TO LEFT OF METER. SEE RULE 13 FOR OTHER CLEARANCES.
- B. CONDUIT ENTRANCE POINT, FROM INSTRUMENT TRANSFORMERS, AS APPROPRIATE.

<p>RULES FOR ELECTRIC METER AND SERVICE INSTALLATIONS <b>PPL ELECTRIC UTILITIES CORPORATION</b></p>	<p><b>Rules:</b> 13, 15, 18 <b>Date:</b> <u>8/12/11</u> <b>Engr:</b> <u>MDB</u></p>	<p>REMSL_S008C.dwg</p>
---	---	------------------------