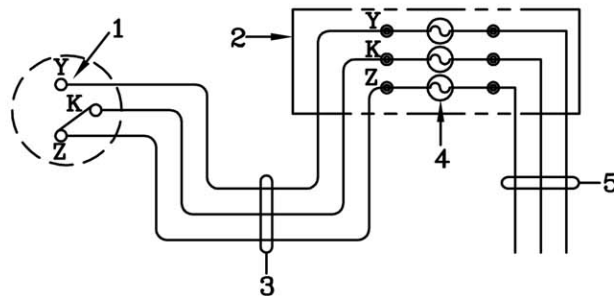
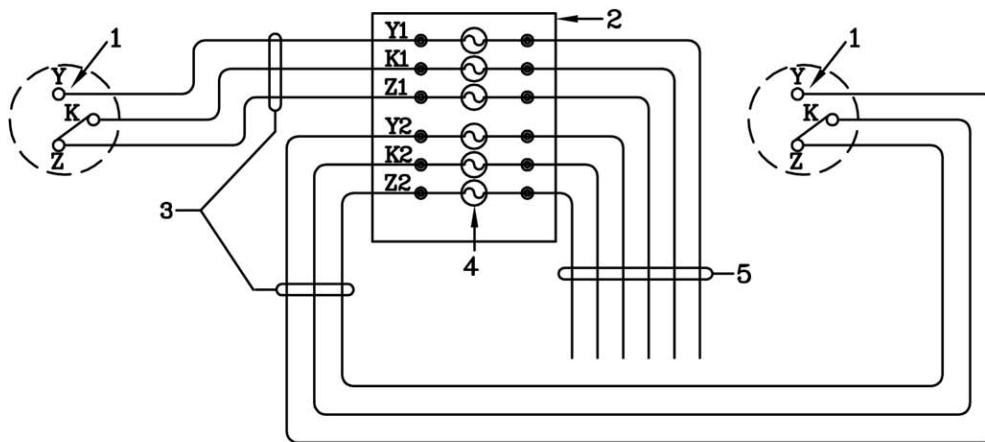


**ONE METER INSTALLATION**



**TWO METER INSTALLATION**



1. CONTACT OPTION BOARD IN PPL METER. MAXIMUM OUTPUT CONTACT RATING:  
0.05 AMPS, 120 VOLTS AC  
0.05 AMPS, 150 VOLTS DC
2. CONNECTION TIE BOX PROVIDED AND INSTALLED BY PPL.
3. DEMAND PULSE WIRES BY PPL (SIX FOOT MAXIMUM LENGTH).
4. THREE (SIX) POLE FUSED TERMINAL BLOCK BY PPL (ONE AMPERE FUSES). UPON INSTALLATION, THE CUSTOMER WILL BE SOLELY RESPONSIBLE FOR MAINTENANCE AND REPLACEMENT OF THE ONE (1) AMPERE FUSES.
5. CUSTOMER PULSE CABLE – SUPPLIED, INSTALLED, AND CONNECTED BY CUSTOMER.