

Typical Arrangement of Outdoor Mobile Home Pedestal  
Underground Service Lateral  
Single Phase, 3 Wire, 120/208 V or 120/240 V

SKETCH #45

SHEET 45

SKETCH #45

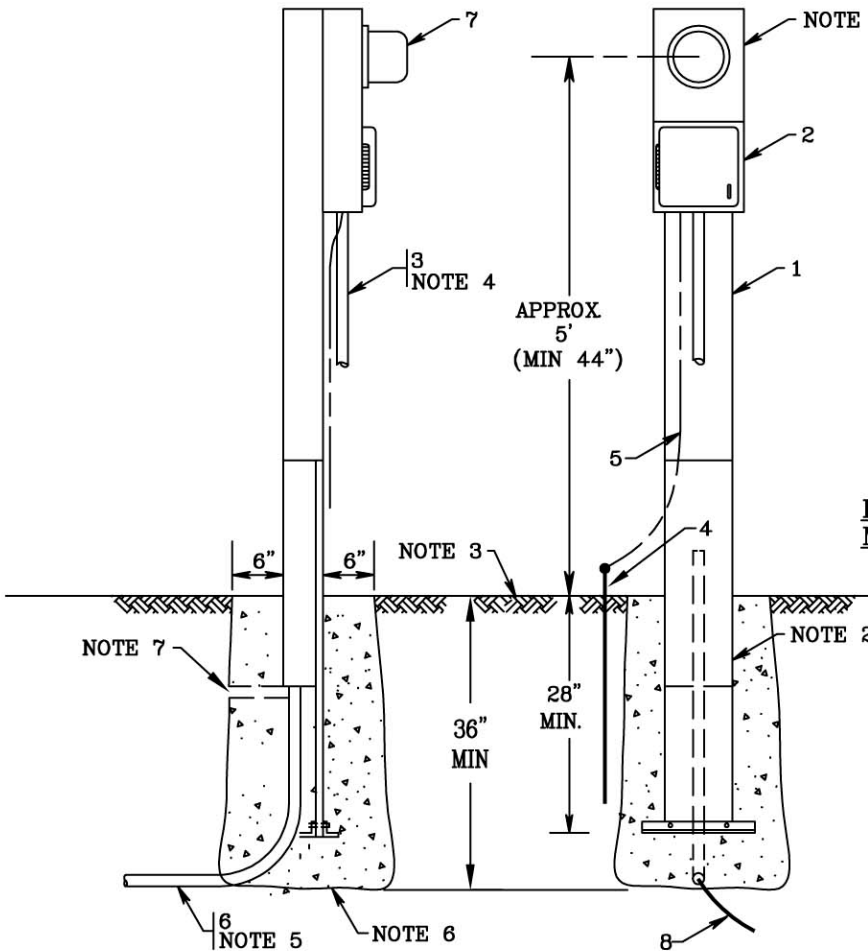
SHEET 45

CUSTOMER FURNISHES, INSTALLS, MAINTAINS:

- 1 - MOBILE HOME METER PEDESTAL (SEE TABLE 10 FOR APPROVED DEVICES)
- 2 - SERVICE SWITCH (ALL BREAKERS SHALL BE 10,000 A.I.C. MINIMUM)
- 3 - SERVICE ENTRANCE CONDUCTORS
- 4 - GROUND ROD
- 5 - SERVICE GROUND
- 6 - 3" MIN 90° ELBOW WITH 36" SWEEP - GRAY PVC SCHEDULE 40 OR GALVANIZED STEEL

PPL FURNISHES, INSTALLS, MAINTAINS:

- 7 - METER
- 8 - SERVICE CONDUCTORS



NOTES:

- 1 - METER BASE LUGS SHALL ACCEPT #2 AWG TO 350 KCMIL CONDUCTORS.
- 2 - THE BASE OF THE PEDESTAL TO 2 INCHES ABOVE GROUND LEVEL SHALL BE FACTORY COATED BOTH INSIDE AND OUTSIDE WITH BITUMASTIC OR EQUIVALENT.
- 3 - EARTH BACKFILL AROUND PEDESTAL SHALL BE CAREFULLY AND THOROUGHLY COMPACTED.
- 4 - WHEN CONDUIT IS REQUIRED FOR SERVICE ENTRANCE CONDUCTORS, INSTALL CONDUIT SUPPORTS 36 INCHES BELOW METER BASE.
- 5 - EXTEND ELBOW INTO PEDESTAL AND OUT THROUGH CONCRETE.
- 6 - INSTALL PEDESTAL IN CONCRETE FOUNDATION AS SHOWN.
- 7 - PROVIDE HOLE IN CONCRETE FOR WATER DRAINAGE.

\*REFERENCE CRS 6-19-133, CRS 6-19-134

RULES FOR ELECTRIC METER AND SERVICE INSTALLATIONS  
**PPL ELECTRIC UTILITIES CORPORATION**

**Rules:** 5, 6, 27

REMSI\_S045\_R1.dwg

**Date:** 11/04/04 **Engr:** RPV