

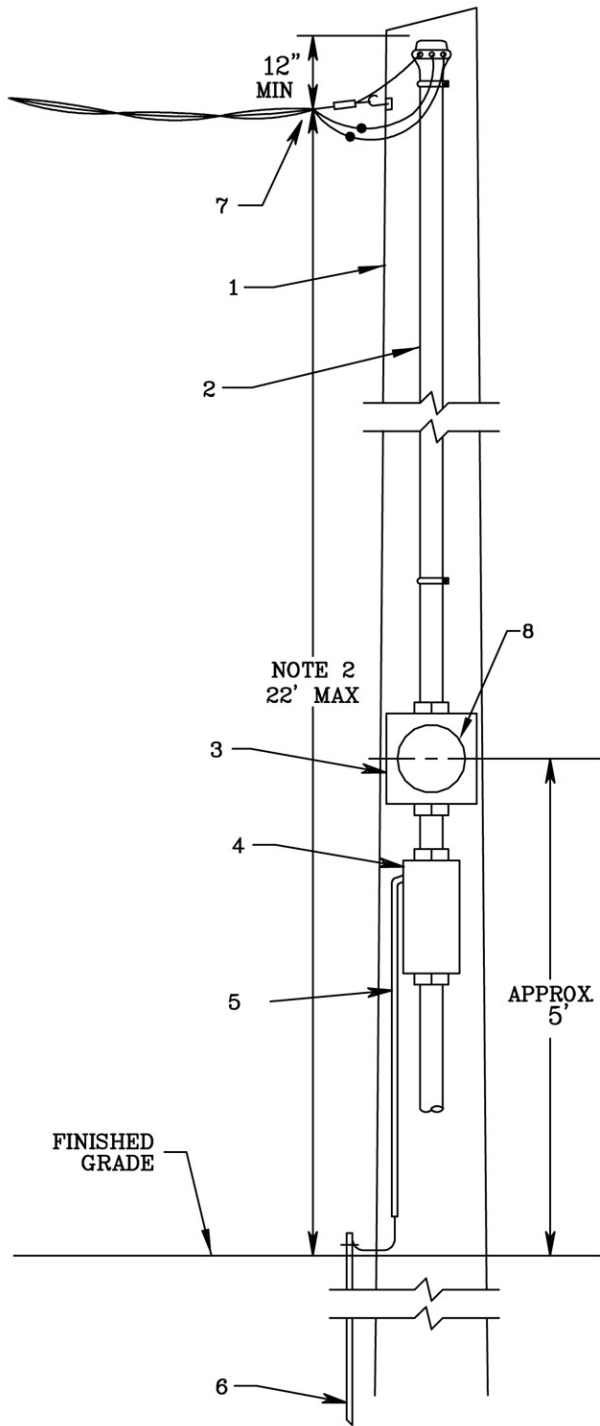
Service Drop Attachment to Customer-Owned
Service and Meter Pole for a Mobile Home
Single Phase 120/240 Volts - Self-Contained Meter

SKETCH #44

SHEET 44

SKETCH #44

SHEET 44



CUSTOMER FURNISHES, INSTALLS, MAINTAINS:

- 1 - SERVICE SUPPORT - EITHER GUYED 3 INCH - MINIMUM STEEL PIPE SET 5 FEET IN CONCRETE OR CLASS 5 MINIMUM WOOD POLE IN ACCORDANCE WITH SKETCH 47.
- 2 - SERVICE ENTRANCE CONDUCTORS, SEE RULE 5.
- 3 - METER BASE. SEE TABLE 1.
- 4 - SERVICE DISCONNECTING EQUIPMENT (SEE NOTE 1).
- 5 - SERVICE GROUND - PROTECT GROUND WIRE WITH MOLDING OR USE ARMORED GROUND CABLE. SIZE PER NEC ARTICLE 250 - GROUNDING.
- 6 - GROUND ROD

PPL FURNISHES, INSTALLS, MAINTAINS:

- 7 - SERVICE DROP AND MAKES CONNECTION TO CUSTOMER'S SERVICE ENTRANCE CONDUCTORS.
- 8 - METER

NOTES:

1. WHEN THE EXTERIOR WALL OF THE MOBILE HOME IS NOT IN SIGHT FROM AND/OR MORE THAN 30 FEET FROM THE SERVICE DISCONNECTING EQUIPMENT SHOWN IN THE SKETCHES, THE INSTALLATION OF A SECOND CIRCUIT BREAKER OR SWITCH AND FUSES IN SERIES WITH THE SERVICE DISCONNECTING EQUIPMENT IS ACCEPTABLE. IF A POST IS USED TO MOUNT THE SECOND DISCONNECT, USE A 4 INCH BY 4 INCH CROSS SECTION COPPER AZOLE 0.41 CBA-A OR 0.21 CA-B PRESSURE TREATED WOOD OR EQUIVALENT SET 24" MINIMUM IN GROUND. HOT DIPPED GALVANIZED FASTENERS (MEETING ASTM A 153) AND CONNECTORS (ASTM A 653 CLASS G185 SHEET) ARE REQUIRED. THE SECOND DISCONNECT IS THE MOBILE HOME SERVICE EQUIPMENT. INSTALL THREE-WIRE UNDERGROUND CABLE BETWEEN THE TWO DISCONNECTS AND FOUR-WIRE FEEDER CABLE BETWEEN THE SECOND DISCONNECT AND THE MOBILE HOME. INSTALL GROUNDS AT BOTH DISCONNECTS.
2. SEE RULE 4 FOR SERVICE DROP CLEARANCES.

RULES FOR ELECTRIC METER AND SERVICE
INSTALLATIONS
**PPL ELECTRIC UTILITIES
CORPORATION**

Rules: 4, 5, 27

REMSI_S044.dwg

Date: 6/25/04 **Engr:** RPV