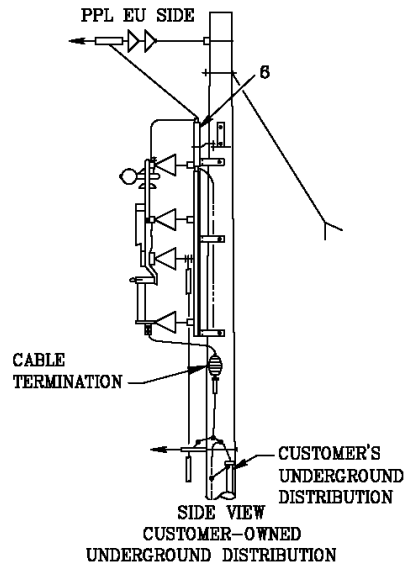
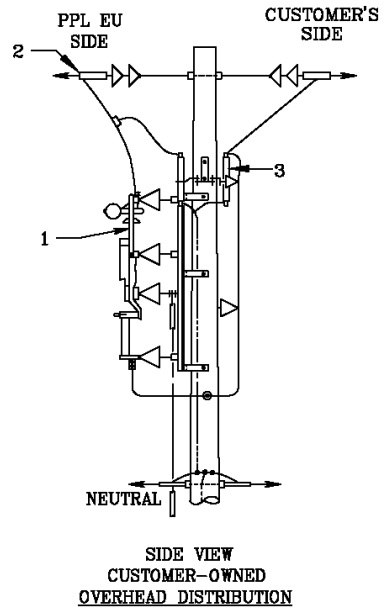
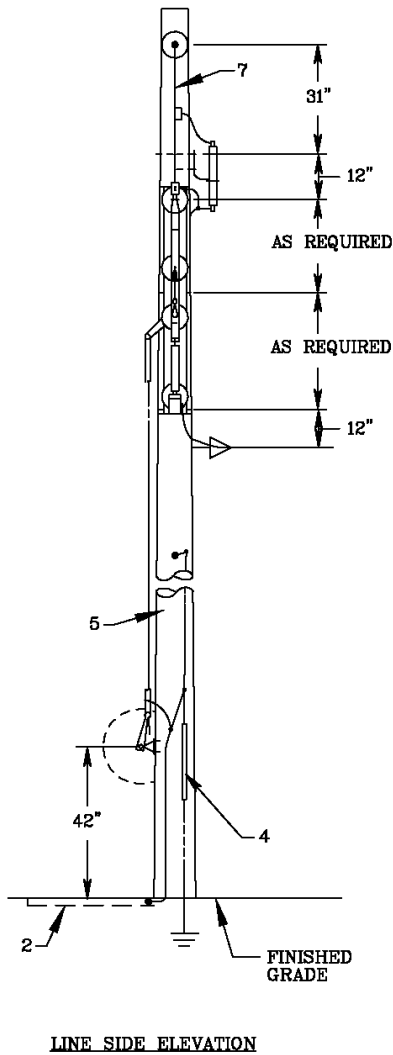


Sketch #32 High voltage service, arrangement of customer's single phase service disconnect on customer-owned service and meter pole, 7.2kv or less

NOT TO SCALE

VOLTAGE: 1 Phase, 7,200V	SERVICE TYPE: Overhead & Underground
CUSTOMER LOAD: 1 MVA Maximum	METER BASE LOCATION: Outdoor



*REFERENCE CRS 6-09-195, LB12669. SKETCH #8C, SKETCH #47

RULES FOR ELECTRIC METER AND SERVICE INSTALLATIONS PPL ELECTRIC UTILITIES CORPORATION	Rules: 7, 8, 18 <small>REMSI_S032.dwg</small>
	Date: 3/21/16 Engr: NAP



REMSI Sketches 26-50
Sketch #32
6-51

0000-000-ST-6051
Custom ID: DCS 6-51
Revision: 01
Effective Date: 09/19/2016
Page 17 of 52

Sketch #32 High voltage service, arrangement of customer's single phase service disconnect and outdoor metering equipment on customer-owned service and meter pole, 7.2kv or less (cont.)

CUSTOMER FURNISHES, INSTALLS, MAINTAINS:

1. WOOD POLE (CLASS 4 MIN., SEE SKETCH #47), 15KV CLASS FUSED LOAD INTERRUPTER SWITCH, INCIDENTAL EQUIPMENT, WIRING AND GROUNDING SYSTEM, GUYING.
2. OPERATING PLATFORM AND GROUNDING SYSTEM FOR OPERATING PLATFORM, SWITCH OPERATING LEVER AND SWITCH BASE.
3. LOAD SIDE LIGHTNING ARRESTERS.
4. SERVICE GROUND – #2 MINIMUM BARE COPPER GROUND WIRE COVERED WITH MOLDING FULL LENGTH OR #2 MINIMUM HDPE COVERED COPPER GROUND WIRE WITHOUT MOLDING.
5. 1-1/4 INCH MINIMUM, THREADED, GALVANIZED, RIGID OR INTERMEDIATE STEEL OR SCHEDULE 40 PVC CONDUIT AND FITTINGS BETWEEN 8 INCH BY 8 INCH BY 4 INCH WEATHER TIGHT JUNCTION BOX AND METER PANEL.
6. 1 INCH FLEXIBLE CONDUIT AND FITTINGS BETWEEN TRANSFORMERS AND 8 INCH BY 8 INCH BY 4 INCH TRANSFORMERS AND 8 INCH BY 8 INCH BY 4 INCH WEATHER TIGHT JUNCTION BOX.

PPL EU FURNISHES, MAINTAINS; CUSTOMER INSTALLS:

7. METER PANEL (SEE SKETCH #8C).
8. INSTRUMENT TRANSFORMERS AND MOUNTING STEEL.
9. LINE SIDE LIGHTNING ARRESTERS.

PPL EU FURNISHES, INSTALLS, MAINTAINS:

10. SOURCE SIDE DEADEND INSULATOR ASSEMBLY (MAXIMUM TENSION PER CONDUCTOR – 2000 LBS.) AND CONNECTS SERVICE WIRE TO LINE SIDE TERMINALS OF CUSTOMER'S DISCONNECT.
11. WIRING BETWEEN INSTRUMENT TRANSFORMERS AND METER PANEL.

NOTES:

1. PPL EU'S DISTRIBUTION SYSTEM CAN SUPPORT FUSING UP TO 175E STANDARD SPEED POWER FUSES FOR POINT OF CONTACT APPLICATIONS. IF A 175E FUSE IS INADEQUATE FOR CUSTOMER LOADING, THEN AN ELECTRONIC FUSE OR A GROUP OPERATED TRIPPING DEVICE SUCH AS A RECLOSER OR RELAYED CIRCUIT BREAKER IS REQUIRED.

*REFERENCE CRS 6-09-195, LB12669. SKETCH #8C, SKETCH #47

<p>RULES FOR ELECTRIC METER AND SERVICE INSTALLATIONS</p> <p>PPL ELECTRIC UTILITIES CORPORATION</p>	<p>Rules: 7, 8, 18</p> <p>Date: 3/4/14 Engr: JCC</p>
--	---