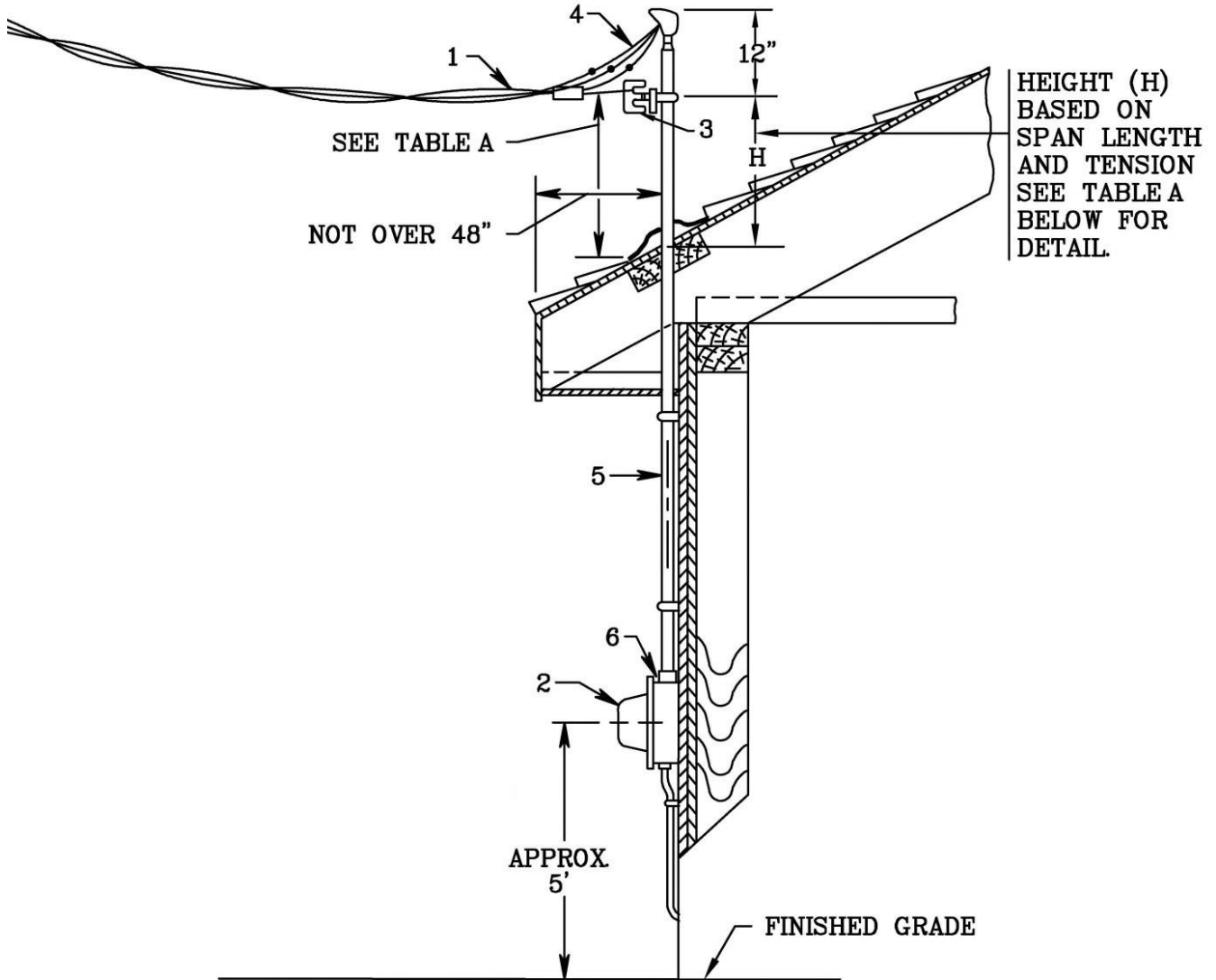


Sketch #3 Secondary service drop attachment to a mast attached to low building to provide required clearances

THIS TYPE OF CONNECTION IS LIMITED TO SERVICES WITH SELF-CONTAINED METER AND #4, #1/0, OR #4/0 TRIPLEX FOR SINGLE PHASE, 3 WIRE OR #2/0 OR #4/0 QUADRUPLIX FOR THREE PHASE, 4 WIRE.



* REFERENCE SKETCH 55 & 55A

REV	DATE	APPROVED			RULES FOR ELECTRIC METER AND SERVICE INSTALLATIONS PPL ELECTRIC UTILITIES CORPORATION
		DRAFTER	SPONSOR	REVIEW	
0	7/15/15	RRC	MP	-	RULES: 4, 4A, 5, 13
1	8/11/15	RRC	MP	-	
2	8/22/16	RRC	NAP	-	

REMSI_S003



**REMSI Sketches 1-25
Sketch #3
6-50**

0000-000-ST-6050
 Custom ID: DCS 6-50
 Revision: 01
 Effective Date: 09/19/2016
 Page 9 of 69

Sketch #3 Secondary service drop attachment to a mast attached to low building to provide required clearances (cont.)

PPL EU FURNISHES, INSTALLS, MAINTAINS:

1. NEW SERVICE DROP AND MAKES CONNECTION TO CUSTOMER'S SERVICE ENTRANCE CONDUCTORS. MAXIMUM TENSION - 850 LBS.
2. METER

PPL EU FURNISHES, CUSTOMER INSTALLS:

3. SERVICE BRACKET - PPL EU CATALOG #107283, 107280, 106150

CUSTOMER FURNISHES, INSTALLS, MAINTAINS:

4. SERVICE ENTRANCE CONDUCTORS; SEE RULE 5.
5. THREADED GALVANIZED-RIGID METAL CONDUIT (RMC) OR INTERMEDIATE METAL CONDUIT (IMC) FIRMLY ATTACHED TO BUILDING. ANCHOR PIPE RIGIDLY AT ROOF TO PREVENT ROOF DAMAGE DUE TO VIBRATION. DO NOT INSTALL CONDUIT COUPLING ABOVE ROOF LINE.
6. METER BASE: SEE TABLES 1 & 3 - APPROVED METER SERVICE DEVICES.

NOTES:

- A. SEE RULE 4 AND 4A FOR CLEARANCE.
- B. 50" MINIMUM CLEAR SPACE IN FRONT OF METER BASE. SEE RULE 13, SKETCH 55, AND SKETCH 55A (SIDE VIEW).

Table A

SERVICE MULTIPLEX CABLE ASSEMBLY SIZED ACCORDING TO DIVERSIFIED LOAD	SPAN LENGTH	MINIMUM CONDUIT SIZE	HEIGHT ABOVE ROOF ATTACHMENT (H)	
			MINIMUM	MAXIMUM
#4 AL TRIPLEX	100' OR LESS	2"	18"	24"
		2.5"		36"
	100' TO 150'	2.5"		22"
		3"		36"
#1/0 AL TRIPLEX	100' OR LESS	2.5"	18"	30"
	100' TO 125'	2.5"		22"
	125' OR LESS	3"		36"
#4/0 AL TRIPLEX	100' OR LESS	2.5"	18"	22"
		3"		36"
#2/0 AL QUADRUPLIX	100' OR LESS	2.5"	18"	22"
		3"		36"
#4/0 AL QUADRUPLIX	100' OR LESS	2.5"	18"	18"
		3"		30"

* REFERENCE SKETCH 55 &55A

REV	DATE	APPROVED			RULES FOR ELECTRIC METER AND SERVICE INSTALLATIONS PPL ELECTRIC UTILITIES CORPORATION RULES: 4, 4A, 5, 13
		DRAFTER	SPONSOR	REVIEW	
0	7/15/15	RRC	MP	-	
1	8/11/15	RRC	MP	-	
2	8/22/16	RRC	NAP	-	

REMSI_S003