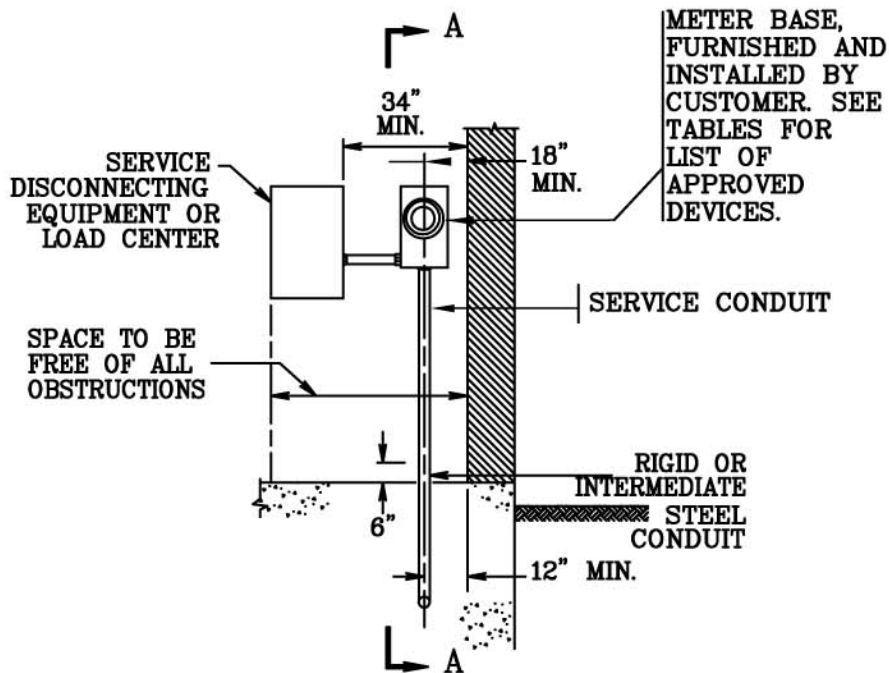
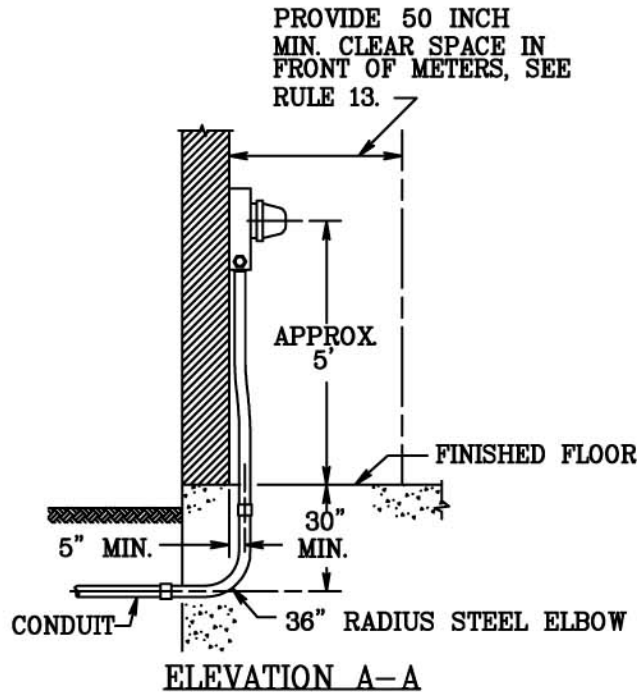


Typical Arrangement of Indoor Metering Equipment
to Accomodate Either Self-Contained or Secondary
Instrument Transformer Metering
Underground Service from an Underground Service Lateral
Single Phase, 3 Wire, 120/208 V or 120/240 V and
3 Phase, 4 Wire, 208Y/120 V

ARRANGEMENT OF EQUIPMENT FOR SELF-CONTAINED METER



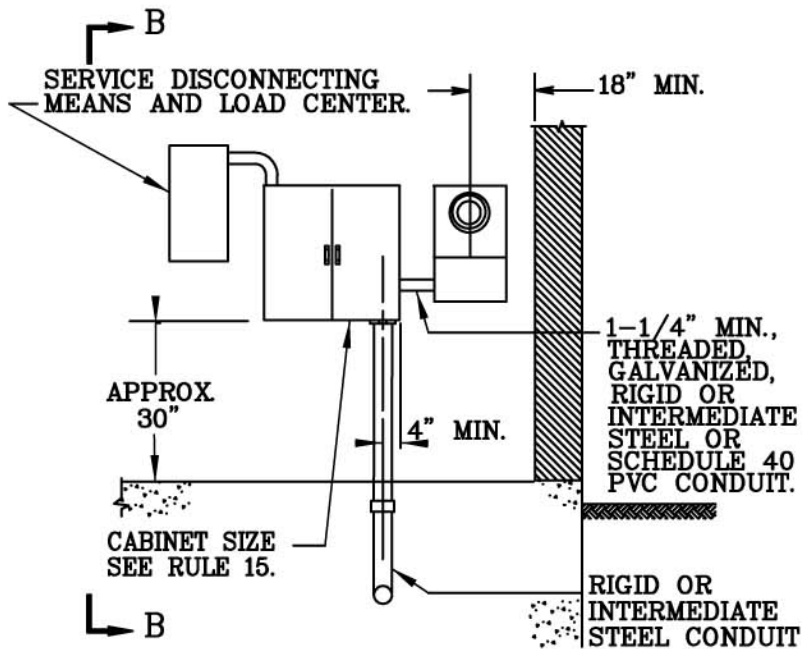
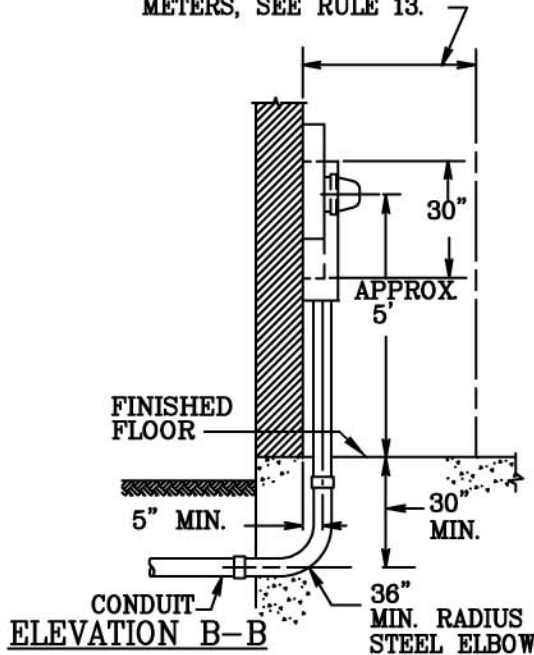
SKETCH #18
SHEET 18P2

Typical Arrangement of Indoor Metering Equipment
to Accomodate Either Self-Contained or Secondary
Instrument Transformer Metering
Underground Service from an Underground Service Lateral
Single Phase, 3 Wire, 120/208 V or 120/240 V and
3 Phase, 4 Wire, 208Y/120 V

SKETCH #18
SHEET 18P2

ARRANGEMENT OF EQUIPMENT FOR INSTRUMENT TRANSFORMER

PROVIDE 50 INCH MINIMUM
CLEAR SPACE IN FRONT OF
METERS, SEE RULE 13.



<p>RULES FOR ELECTRIC METER AND SERVICE INSTALLATIONS PPL ELECTRIC UTILITIES CORPORATION</p>	<p>Rules: 5, 6, 10, 11A, 12, 13, 15 REMSI_S018_P2.dwg Date: <u>8/18/06</u> Engr: <u>MDB</u></p>
--	--