

PENNSYLVANIA POWER & LIGHT COMPANY
 SECONDARY SERVICE
 SERVICE DROP ATTACHMENT TO AN ANGLE IRON MAST ATTACHED
 TO LOW BUILDING TO PROVIDE REQUIRED CLEARANCES
 RULES 4, 5

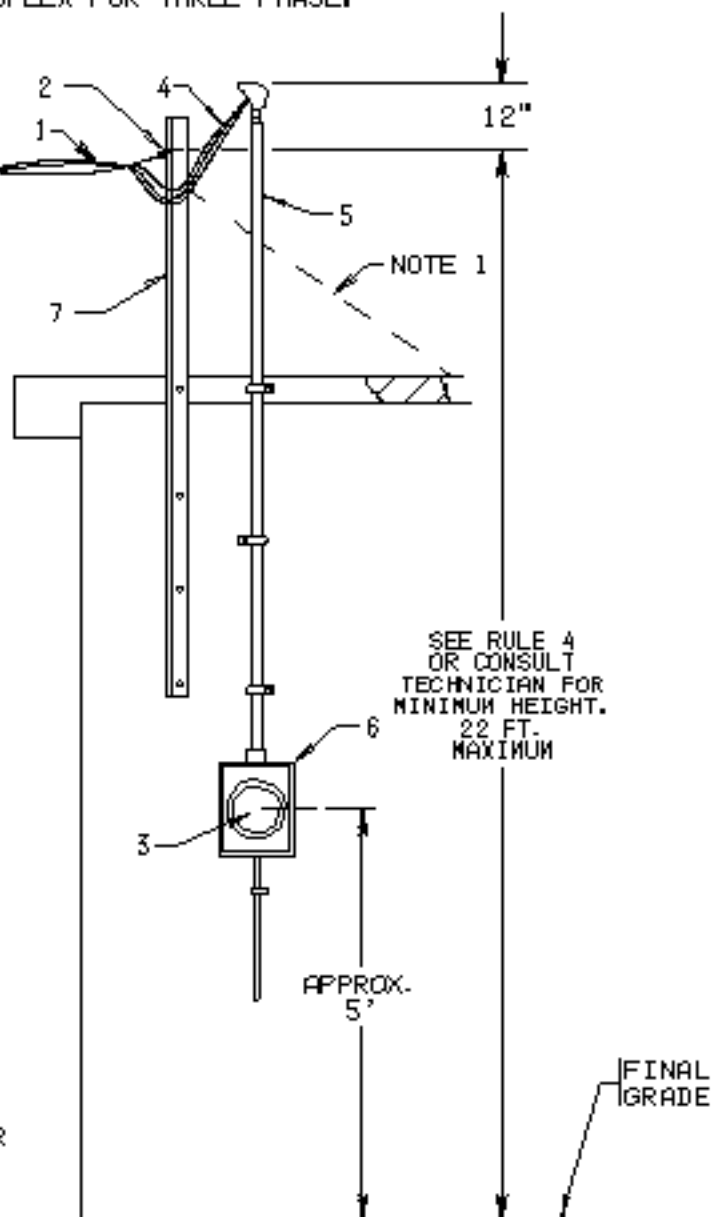
THIS TYPE OF CONNECTION IS LIMITED TO SERVICES WITH SELF-CONTAINED METER AND #4, #1/0, OR #4/0 TRIPLEX FOR SINGLE PHASE, 3 WIRE OR #2/0 QUADRUPLIX FOR THREE PHASE, 4 WIRE.

COMPANY FURNISHES, INSTALLS, AND MAINTAINS:

- 1 - SERVICE DROP AND MAKES CONNECTION TO CUSTOMER'S SERVICE ENTRANCE CONDUCTORS. MAXIMUM TENSION - 700 LBS.
- 2 - ATTACHMENT SUPPORT BRACKET.
- 3 - METER.

CUSTOMER FURNISHES, INSTALLS, AND MAINTAINS:

- 4 - SERVICE ENTRANCE CONDUCTORS. SEE RULE 5.
- 5 - THREADED GALVANIZED RIGID OR INTERMEDIATE STEEL CONDUIT FIRMLY ATTACHED TO BUILDING. ANCHOR PIPE RIGIDLY AT ROOF TO PREVENT ROOF DAMAGE DUE TO VIBRATION. DO NOT INSTALL CONDUIT COUPLING ABOVE ROOF LINE.
- 6 - METER TROUGH; SEE TABLES FOR LIST OF APPROVED DEVICES.
- 7 - ANGLE IRON.



SEE RULE 4 OR CONSULT TECHNICIAN FOR MINIMUM HEIGHT. 22 FT. MAXIMUM

APPROX. 5'

FINAL GRADE

ANGLE IRON SIZE (INCHES)	MAXIMUM HEIGHT (INCHES) ABOVE LAST SUPPORT BOLT (NO GUY)
3 X 3 X 7/16	27
4 X 4 X 1/2	56
5 X 5 X 1/2	90

NOTES:

- 1. SUPPORT GUY REQUIRED FOR MASTS OTHER THAN THOSE LISTED.
- 2. MAST MUST BE ACCESSIBLE TO MECHANIZED EQUIPMENT.

SKETCH # 3B

RULES FOR ELECTRIC METER AND SERVICE INSTALLATIONS
 PA. POWER & LIGHT CO. ALLENTOWN, PA.

REVISION DATE: 3-1-94

A-191000⁰ SHEET 3B