



**Underground Structural  
Customer Reference Specification  
Installed Precast Manhole Specification  
6-15-160**

0000-000-ST-6015  
Custom ID: DCS 6-15  
Revision: 06  
Effective Date: 5/25/2020  
Page 42 of 58

**6-15-160 – Customer Reference Specification Installed Precast Manhole Specification**

**Customer Installed Precast Manhole**

THIS CUSTOMER REFERENCE SPECIFICATION (CRS) IS PART OF THE  
RULES FOR ELECTRIC METER AND SERVICE INSTALLATION (REMSI) WEBSITE.



**Underground Structural  
Customer Reference Specification  
Installed Precast Manhole Specification  
6-15-160**

0000-000-ST-6015  
Custom ID: DCS 6-15  
Revision: 06  
Effective Date: 5/25/2020  
Page 43 of 58

This specification contains basic information which defines PPL material & design requirements for the installation of a precast concrete manhole. Precast concrete manholes must meet H-25 loading requirements.

All details of this specification shall be strictly followed. Any deviation must be approved by a PPL EU engineer. Unapproved deviations are usually costly for the customer to correct & can result in delays or possible refusal to connect service.

**Other Associated Specification**

6-15-180 – Customer Installed Duct System

6-18-115 – Installation Instructions for Customer-Installed Conduit System on PPL Terminal Poles

A190974 – Concrete Specification

**Notes For Precast Manhole Installation**

1. Construction Plan

PPL will provide the customer with a construction plan showing the proposed location of the manhole. Any deviation from the proposed location, due to on-site obstructions, must be approved by PPL.

2. Excavation

Excavate to provide 12-inch clearance all around manhole. Depth as required.

3. Backfill

Backfill using crushed stone to approximately ½ the excavation depth. Remove shoring and tamp or rod the stone to be sure it flows into all voids. Complete backfill to top of manhole.

4. Sump

Unless specified by PPL engineer, do not open sump knockout in foundation.

5. Precast Manhole Installation

The customer's contractor is responsible for purchasing the precast manhole. The contractor must coordinate site preparations with desired delivery date. If site preparations are complete, supplier will set manhole in final position. Contractor must provide a clear & firm approach to the point of delivery. See REMSI website for a list of approved suppliers.

6. Customer is responsible for grounding and installing PPL supplied equipment per PPL specification.

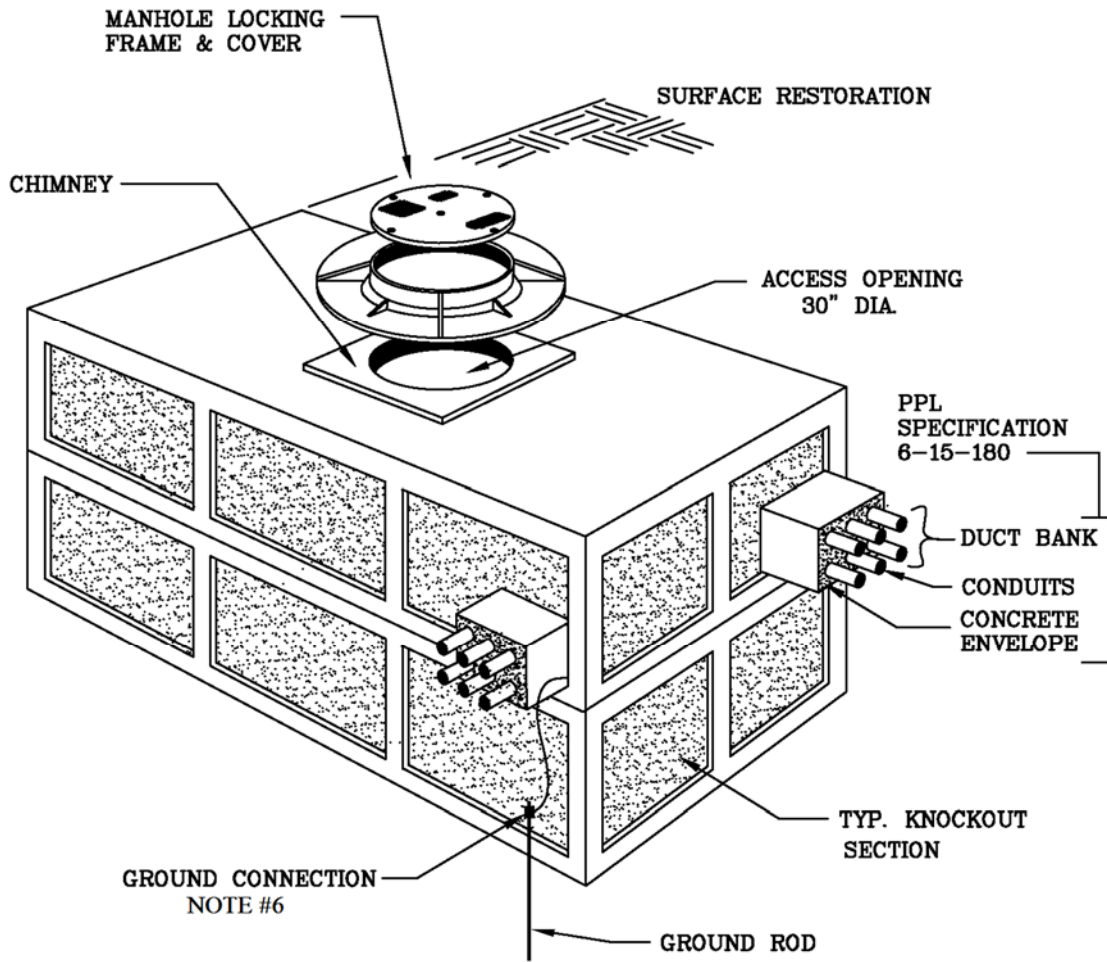


**Underground Structural  
Customer Reference Specification  
Installed Precast Manhole Specification  
6-15-160**

0000-000-ST-6015  
Custom ID: DCS 6-15  
Revision: 06  
Effective Date: 5/25/2020  
Page 44 of 58

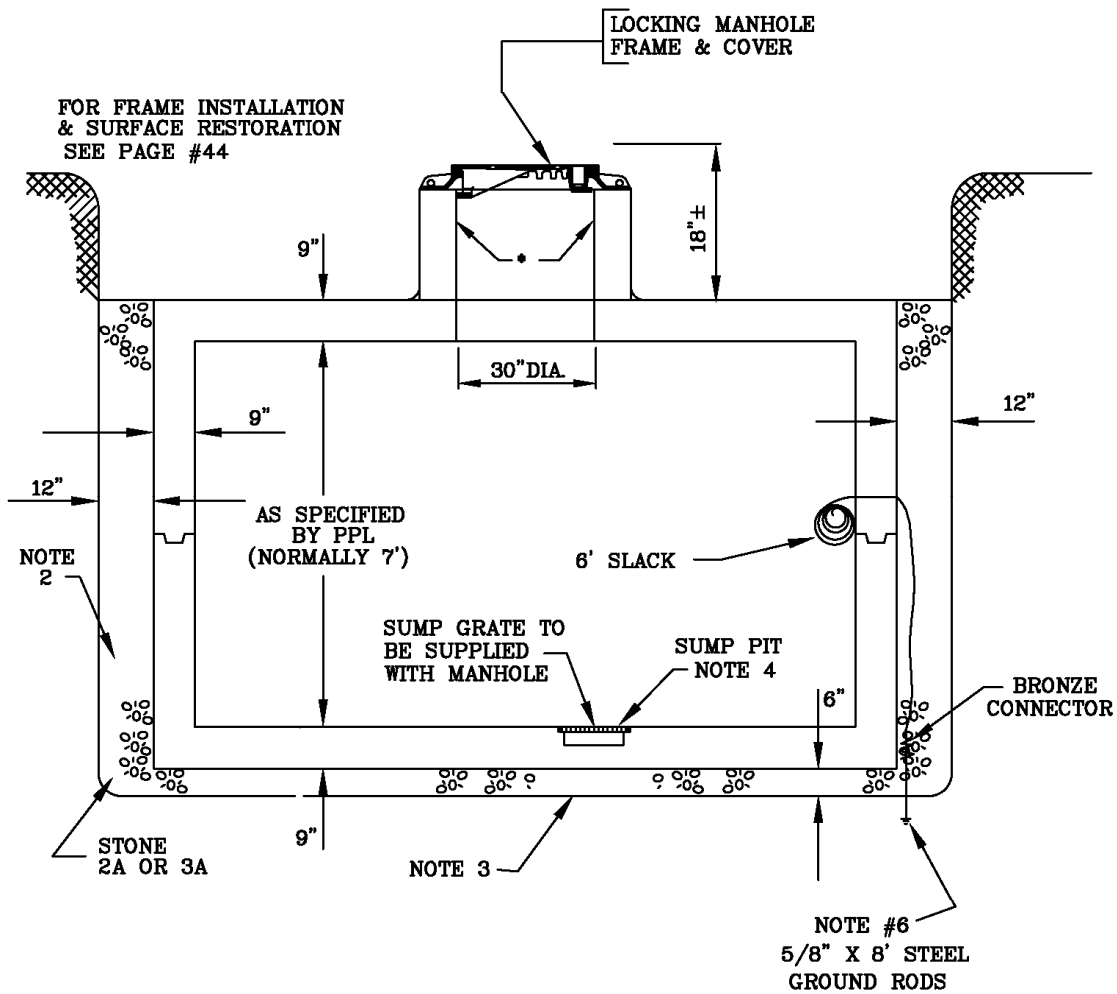
**Approved Suppliers**

1. Oldcastle  
200 Keystone Drive  
Telford, PA 18969  
(215) 257-8081
2. A. C. Miller Concrete Product, Inc.  
Bridge Street  
Spring City, PA 19432  
610-948-4600
3. Terre Hill Concrete Products, Inc.  
P.O. Box 10  
Terre Hill, PA 17581  
717-445-3100
4. Monarch Products, Inc.  
385 Sipe Road  
York Haven, PA 17570  
717-938-9303
5. Monarch Precast Concrete Corp.  
425 North Dauphin Street  
Allentown, PA 18109  
610-435-6746
6. Modern Precast Concrete Products  
& Construction Supplies  
2863 Brodhead Road  
Bethlehem, PA 18020  
616-997-3119
7. Scranton Craftsmen, Inc.  
930 Dunmore Street  
Throop, PA 18512  
800-775-1479



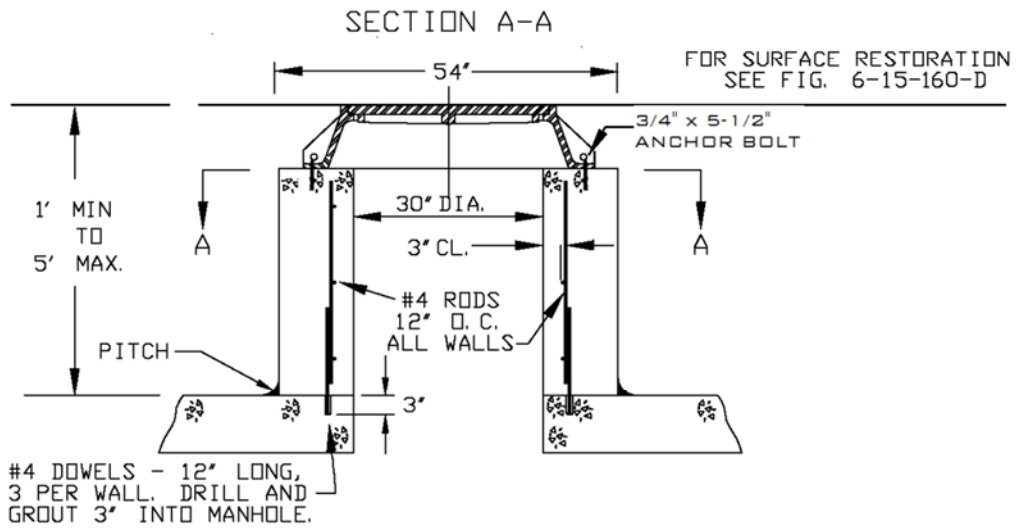
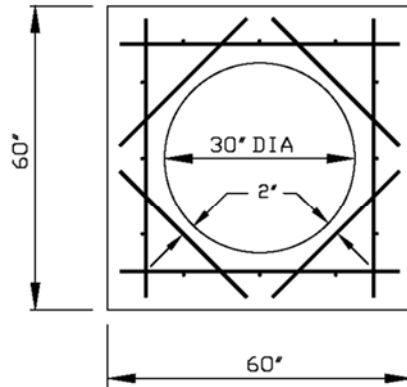
**NOTE - INTERIOR LENGTH, WIDTH & HEIGHT AS SPECIFIED BY PPL**

**6-15-160-A**



- POUR CONCRETE TO FILL AREA UNDER FRAME SOLIDLY. EXPANDABLE METAL FORM SHOULD BE USED IN THE MANHOLE ENTRANCE TO PROVIDE A SMOOTH THROAT

6-15-160-B



PRECAST MANHOLE

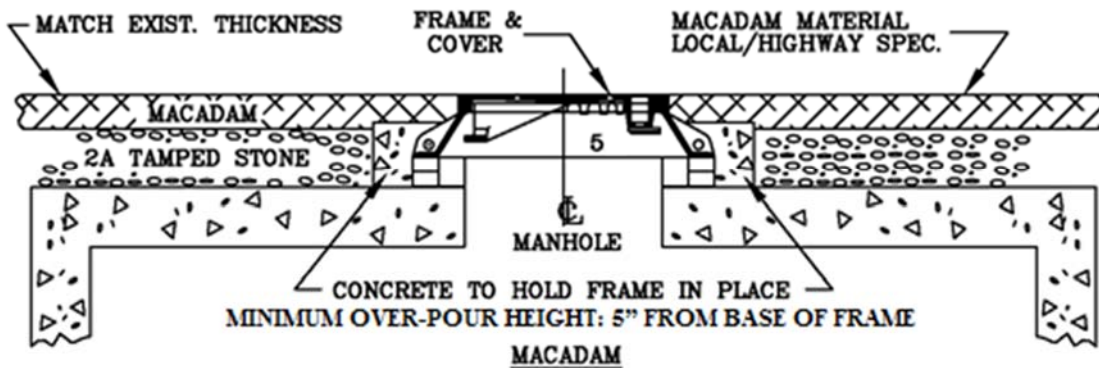
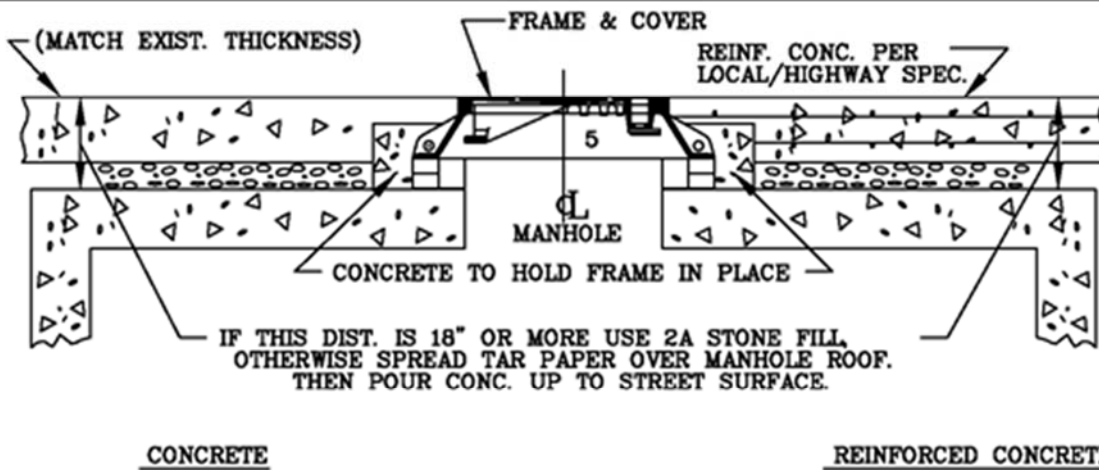
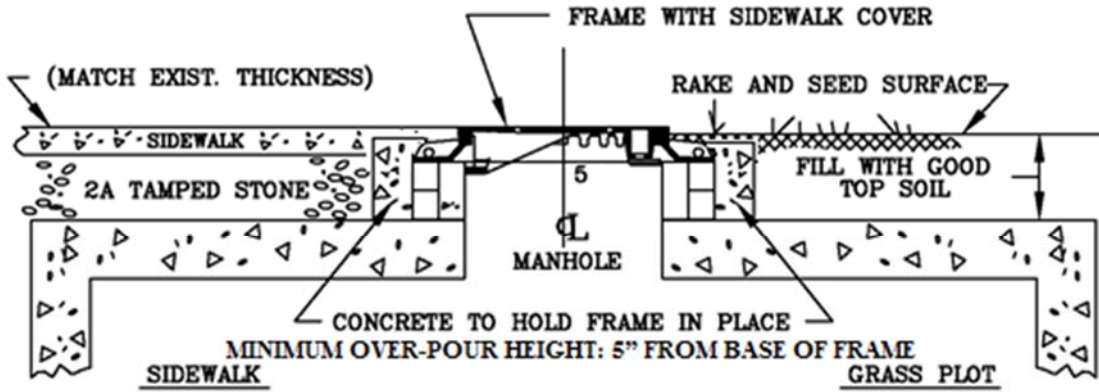
6-15-160-C



PPL Electric Utilities

# Underground Structural Customer Reference Specification Installed Precast Manhole Specification 6-15-160

0000-000-ST-6015  
Custom ID: DCS 6-15  
Revision: 06  
Effective Date: 5/25/2020  
Page 48 of 58



6-15-160-D